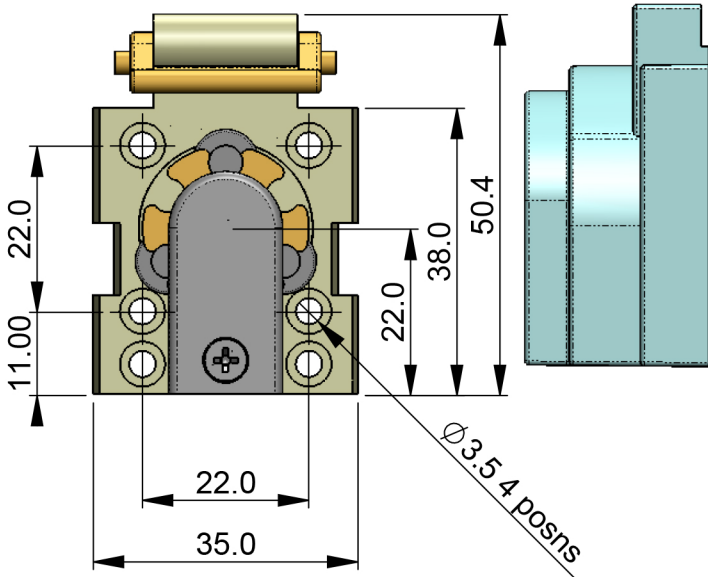
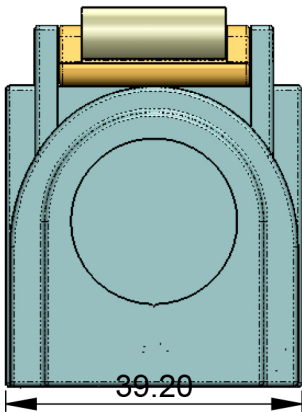
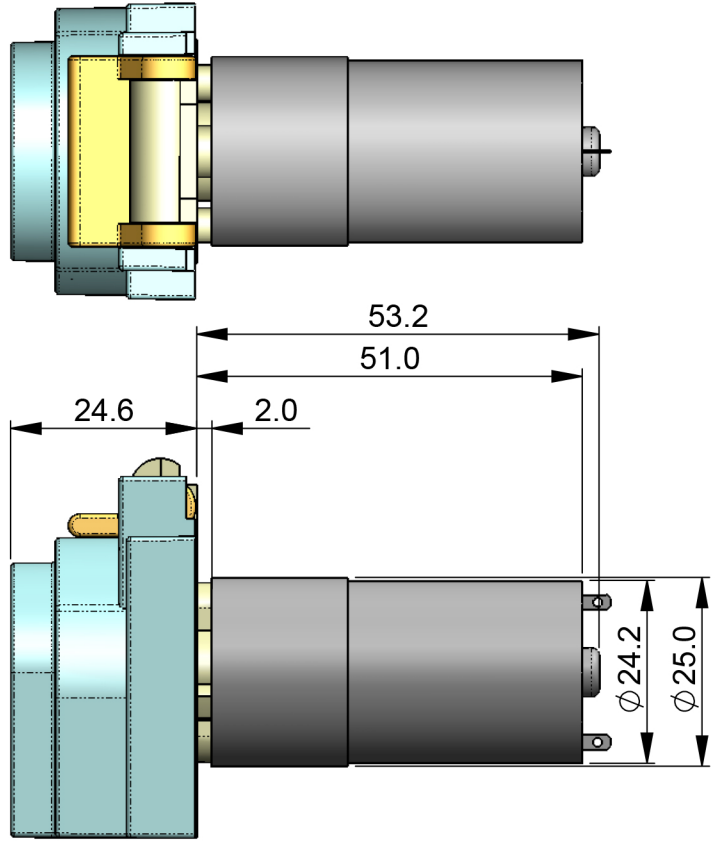
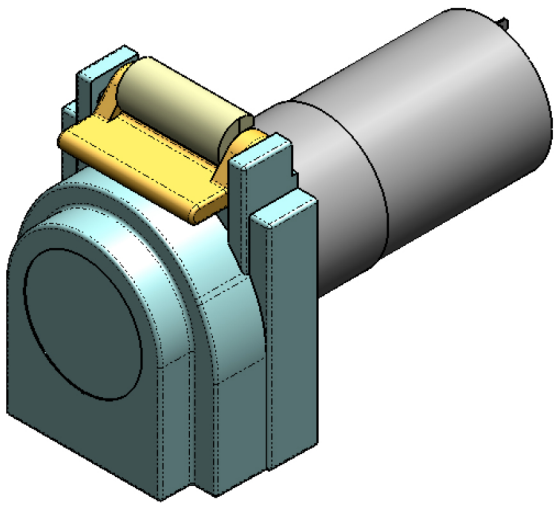
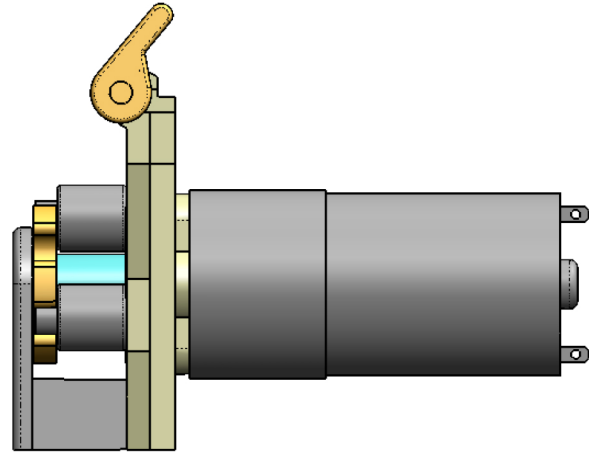


# TP S50



Fixing holes positions  
Mounting hole  $\phi 25.4\text{mm}$



Motor: 12V DC  
Operating Voltage: 6VDC - 12V DC  
Typical current <math><200\text{mA}</math>

Weight: 138g

Standard tubing: ID  $\phi 1.0\text{mm}$ XOD  $\phi 3.0$   
ID  $\phi 2.0\text{mm}$ XOD  $\phi 4.0$   
ID  $\phi 3.0\text{mm}$ XOD  $\phi 5.0$

Flow gearbox 6000-22 2X4 tube: 40ml/min

Flow gearbox 8400-22 2X4 tube: 60ml/min

Flow gearbox 8400-64 2X4 tube: 20ml/min

Flow gearbox 8400-64 3X5 tube: 40ml/min

Other gearbox combinations available upon request

Three roller rotor

Colours for illustration purpose only.

Scale 1:1

Third Angle Projection

All dims in mm.